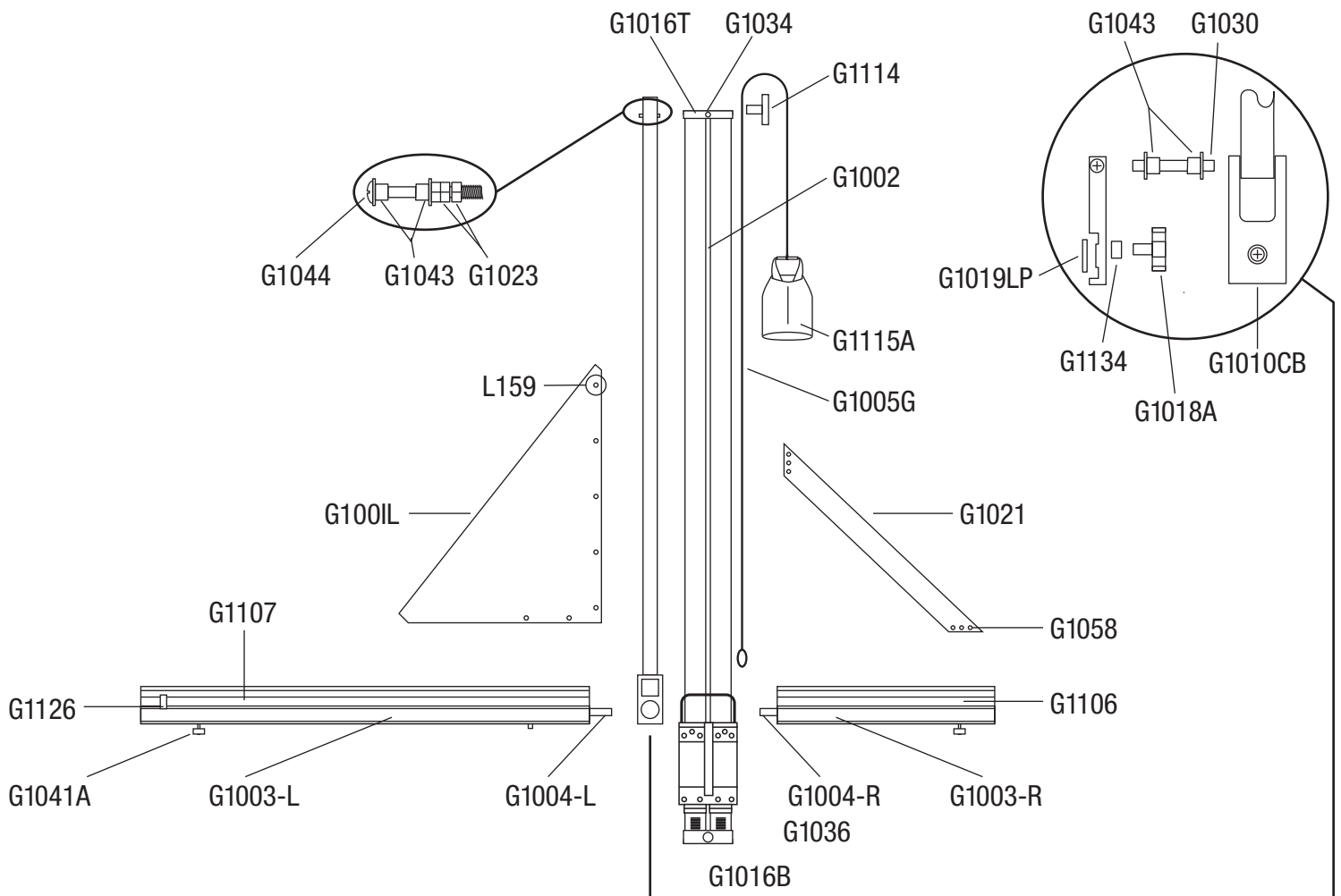
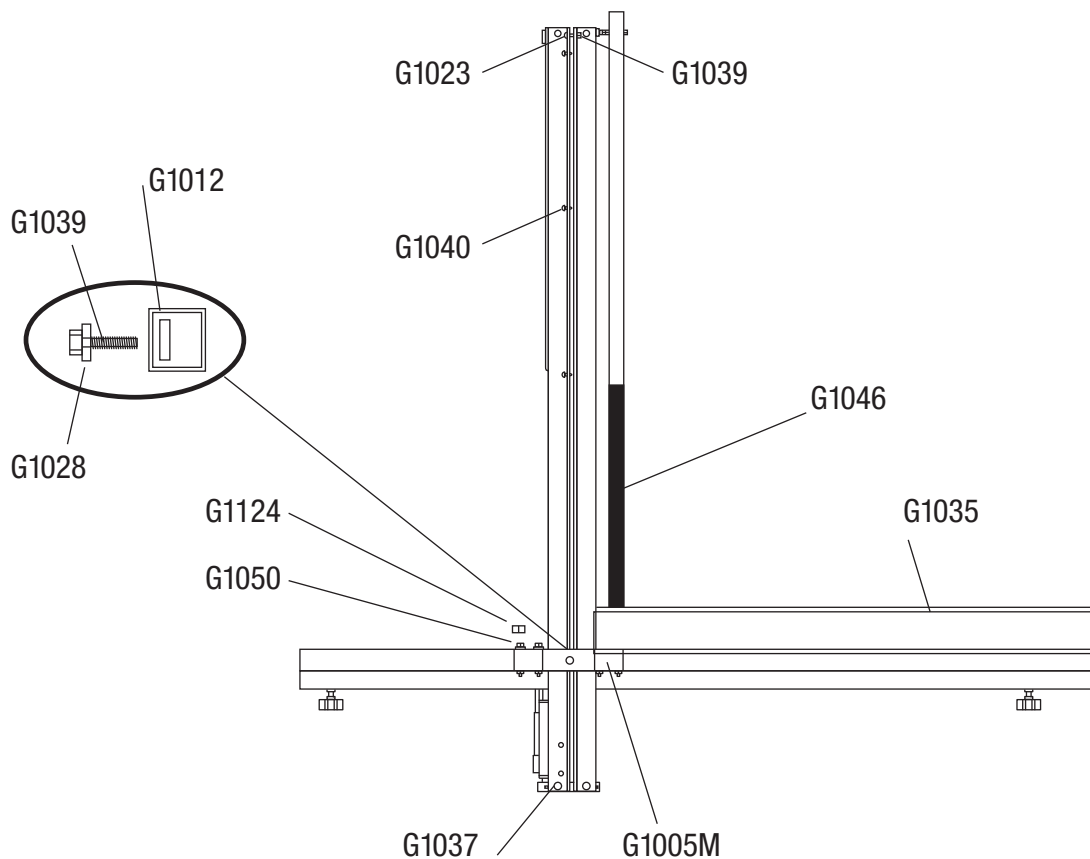
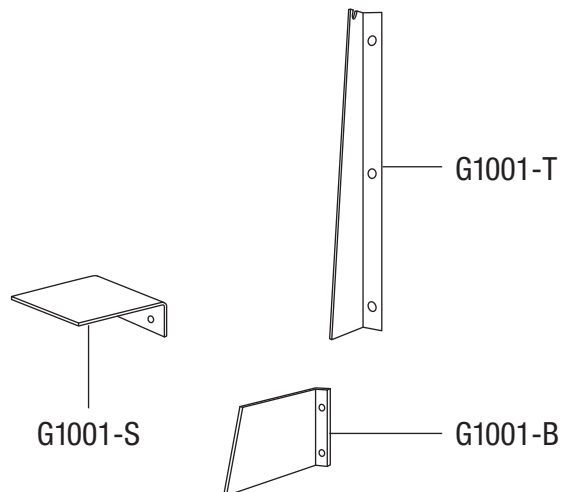


Part No.	Description	Quantity	Part No.	Description	Quantity
G100IL	Gusset	1	G1030	Clamp Pin	1
G1002	Cutting Bar	1	G1034	Guide Clamp Screw	2
G1003R	Cutting Bed - Right	1	G1036	Bumper Spring	2
G1003L	Cutting Bed - Left	1	G1014A	Squaring Bar Adjustment Assembly	2
G1004R	Squaring Bar - Right	1	G1043	Clamp Bushing	4
G1004L	Squaring Bar - Left	1	G1044	Clamp Top Screw	1
G1005G	Guide Bar	2	G1058	Support Arm Screw	1
G1010CB	Clamp Bracket	1	G1106	24" Scale	1
G1016T	Guide Clamp - Top	1	G1107	48" Scale	1
G1016B	Guide Clamp - Bottom	1	G1114A	Pulley Assembly	1
G1018A	Stop Knob Assembly	1	G1115A	Counterweight Assembly	1
G1019LP	Lock Plate	2	G1126	Scale Adjustment Screw	3
G1021	Support Bar	1	G1134	Stop Knob Spacer	1
G1023	Lock Nut	2	L159	Gusset Screw	7

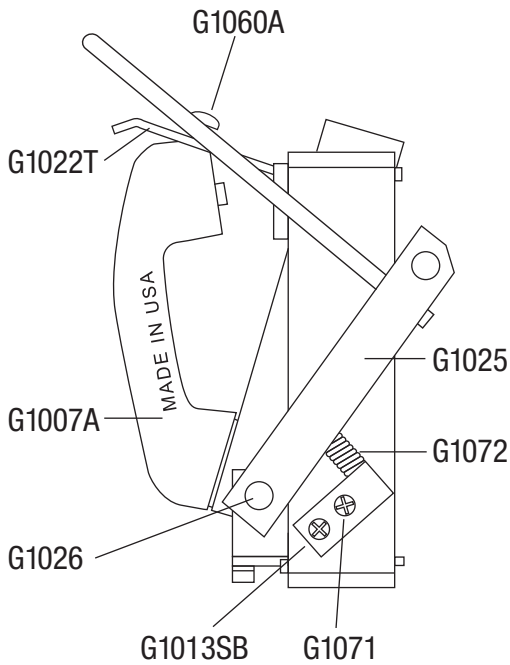


Part No.	Description	Quantity
G100IB	Bottom Mount Bracket	1
G1001-T	Top Mount Bracket	1
G1001-S	Side Mount Bracket	2
G1005M	Mount Tube	1
G1023	Lock Nut	1
G1028	Mount Plate	1
G1035	Side Bracket Screw	4
G1037	Guide Bracket Screw	4
G1039	Mount Bracket / Vertical Bar Screw	2
G1040	Cutting Bar Mount Screw	6
G1046	Clamp Pad	1
G1050	Cutting Bed Mount Screw	4
G1124	Mount Nut	8

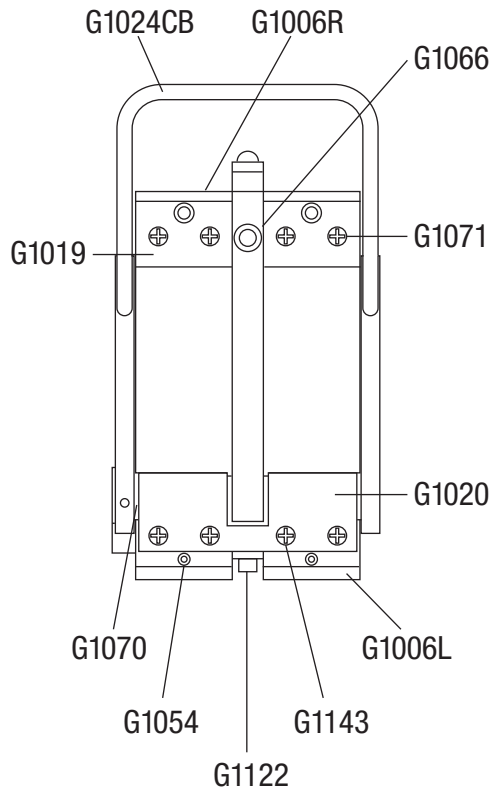


Part No.	Description	Quantity	Part No.	Description	Quantity
1000	Tube Bearing	4	1027	Roller	1
1007A	Cutting Head Handle	1	1054	Tube Bearing Screw	12
1006L	Cutting Head Tube - Left	1	1055	Pivot Rod Set Screw	5
1006R	Cutting Head Tube - Right	1	1057	Extension Spring	1
1013SB	Spring Retainer	1	1060A	Trigger Screw Assembly	1
1019TP	Top Plate	1	1066	Depth Adjustment Screw	1
1020	Pivot Block	1	1070	Pivot Block Bushing	4
1022T	Trigger	1	1071	Stop Plate Screw	6
1022SB	Spring Bar	1	1072	Roller Arm Spring	1
1024CB	Crack Bar	1	1084	Spring Screw	1
1025	Roller Arm	2	1122	Tension Screw	1
1026	Pivot Rod	2	1143	Pivot Block Screw	4

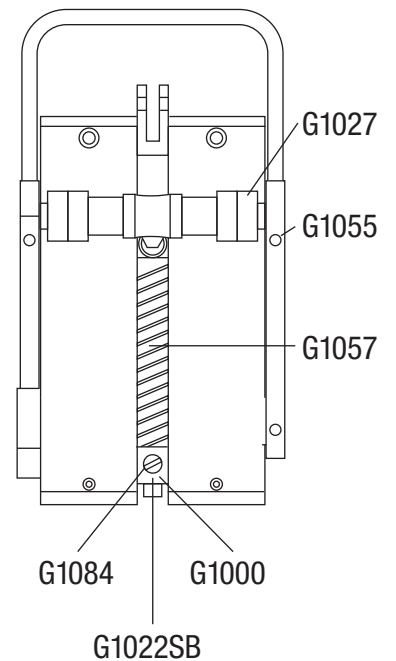
SIDE VIEW



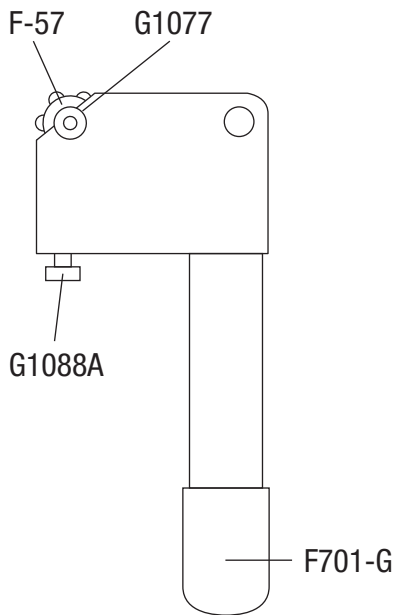
TOP VIEW



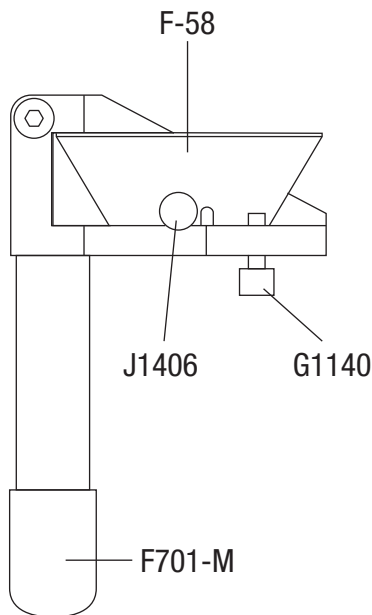
BOTTOM VIEW



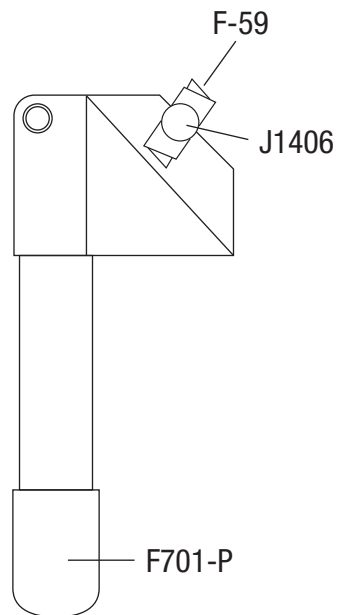
<u>Part No.</u>	<u>Description</u>	<u>Quantity</u>
F57	Six Glass Cutting Wheel Turret	1
F58	Board Cutting Blade	5
F59	Plastic Cutting Blade	1
F701-G	Glass Cutting Tool	1
F701-M	Board Cutting Tool	1
F701-P	Plastic Cutting Tool	1
J1406	Blade Knob	2
G1077	Turret Nut	1
G1088A	Turret Screw Assembly	1
G1140	Depth Adjustment Screw	1



GLASS CUTTING TOOL



BOARD CUTTING TOOL



PLASTIC CUTTING TOOL